

CEMANCO

www.cemanco.com

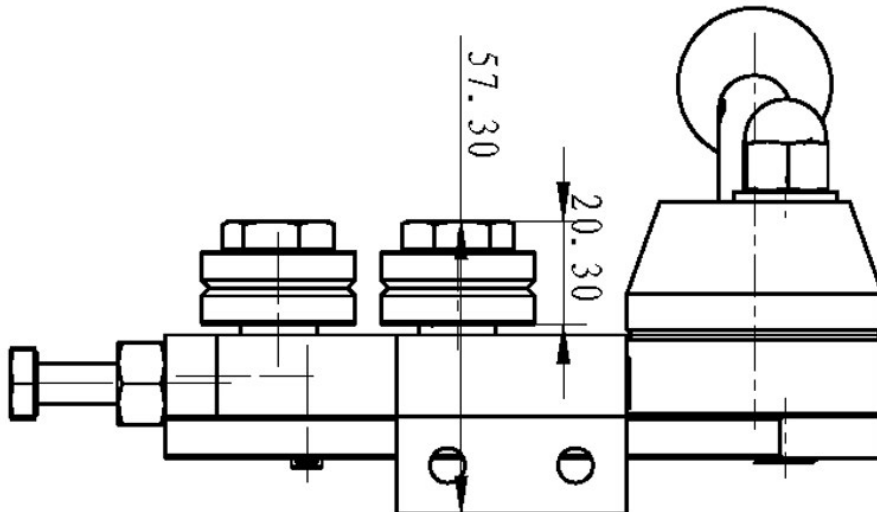
951 NW 31st Avenue, Pompano Beach, FL 33069

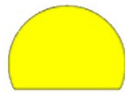
Phone: 954-970-3099 - Fax: 954-970-3056

E-Mail: sales@cemanco.com

SQ-5-3

Wire Range 1.5 - 3.0mm





CEMANCO

www.cemanco.com

951 NW 31st Avenue, Pompano Beach, FL 33069

Phone: 954-970-3099 - Fax: 954-970-3056

E-Mail: sales@cemanco.com

SQ-5-3

Wire Range 1.5 - 3.0mm

