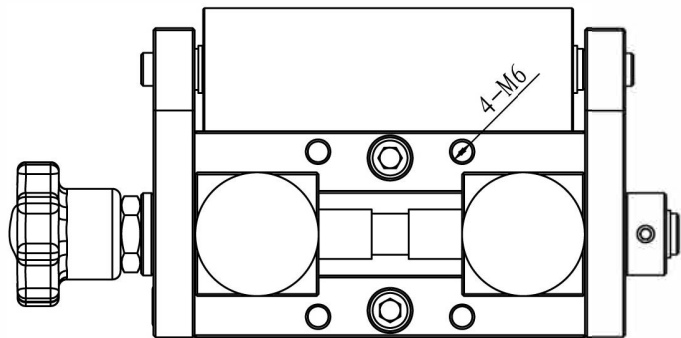
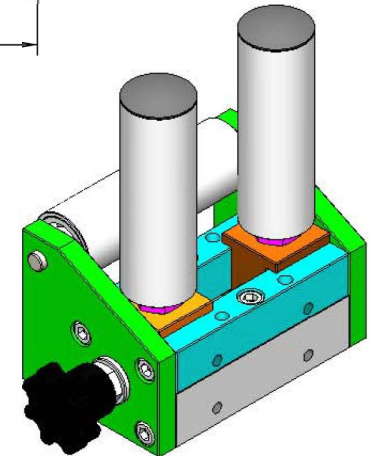


**AG3-30**  
**Maximum Cable Size 30mm**

Opening range:0-30mm



**CEMANCO**  
[www.cemanco.com](http://www.cemanco.com)

951 NW 31st Avenue, Pompano Beach, FL 33069  
 Phone: 954-970-3099 - Fax: 954-970-3056  
 E-Mail: [sales@cemanco.com](mailto:sales@cemanco.com)